

PO Box 82-185 Highland Park Auckland 2143

6 Rylock Place Pakuranga Auckland 2010

Phone 09 576 1199

Email: sales@spiraweld.co.nz

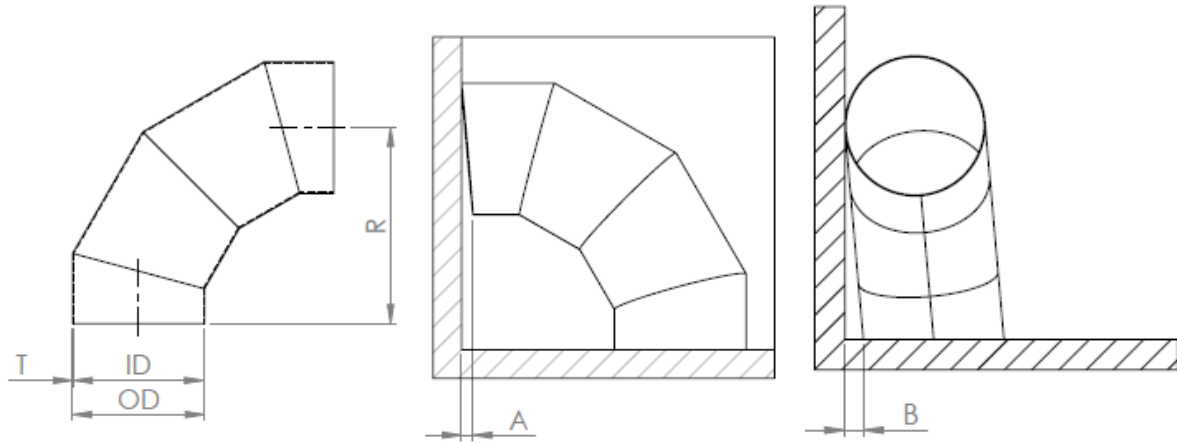
90 Degree Bends (18" & 20")

- Imported From Douglas Barwick, Canada
- Available in 304L and 316L [ASTM A240]; traceable to mill certificates
- Manufactured to ASTM A774 and pickled and passivated as per ASTM A380 to help maintain corrosion resistance and prevent surface discolouration
- Welds – as laid, smooth continuous

Sizes, Dimensions and Tolerances

Diameter [ID] or [OD]			Wall thickness	weight estimate		Tolerance	Squareness		Working Pressure
Inches	mm	ID or OD	mm [T]	kg	[R] mm	[R] mm	[A]mm	[B]mm	psi
18	457.2	ID	3.6	45	686	+/-3.2	3.2	9.5	200
20	508.0	ID	3.6	55	762	+/-3.2	3.2	9.5	180

Note: working pressure is an estimate based on guidelines provided by overseas mills who manufacture these bends to ASTM A774 standard; For a more accurate figure tailored to a specific application, consultation with a qualified engineer is recommended.



Note: These drawings illustrate a lobster back bend which we have used to identify the various dimensions, but the actual bends are as per the photos above.